

Item	Description	HP Part No.	Qty.
1	DPST Rocker Switch (Power Switch)	3101- 0402	1
2	Nut/Lock Washer	0535- 0043	7
3	Screw	0515- 1276	4
4	Insulator Bushing	0340- 0793	4
5	AC Printed Circuit Board (Refer to Table 1)		1
6	Screw	0515- 0910	1
7	Lock Washer	2190- 0409	1
8	AC Power Supply Ground Wire	19350- 60670	1
9	AC Power Supply Base	05890- 00240	1
10	Transformer Bracket	05890- 80690	1
11	Transformer (Refer to Table 1)		1
12	Extension Cable for upgraded Series I	05890- 61340	1

Figure 2. AC Power, Common (Sheet 1 of 2).

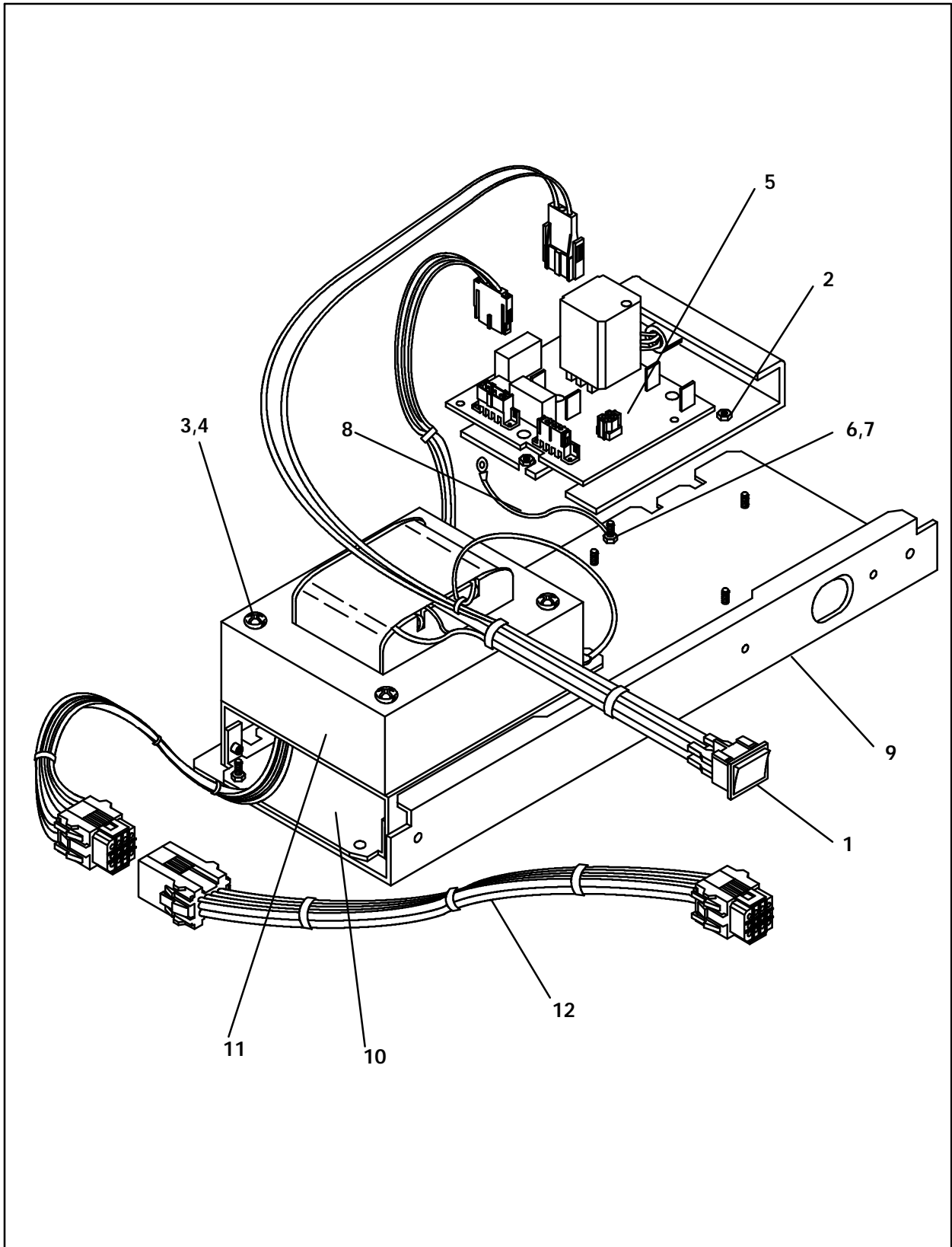


Figure 2. AC Power, Common (Sheet 2 of 2).